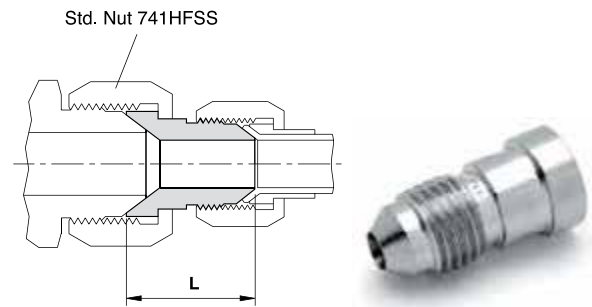


741 HFL REDUCING ADAPTER

S.A.E. 070123



TUBE (INCH)

Ordering Information	Tube O.D.	B UN	L	
	inch		inch	mm
741HFL SS 3/8" X 1/4"	3/8 to 1/4	7/16 - 20	0.97	24.6
741HFL SS 1/2" X 1/4"	1/2 to 1/4	7/16 - 20	1.00	25.4
741HFL SS 1/2" X 3/8"	1/2 to 3/8	9/16 - 18	1.00	25.4
741HFL SS 5/8" X 1/4"	5/8 to 1/4	7/16 - 20	1.03	26.2
741HFL SS 5/8" X 3/8"	5/8 to 3/8	9/16 - 18	1.03	26.2
741HFL SS 3/4" X 1/4"	3/4 to 1/4	7/16 - 20	1.09	27.7
741HFL SS 3/4" X 3/8"	3/4 to 3/8	9/16 - 18	1.09	27.7
741HFL SS 3/4" X 1/2"	3/4 to 1/2	3/4 - 16	1.19	30.2
741HFL SS 3/4" X 5/8"	3/4 to 5/8	7/8 - 14	1.66	42.1
741HFL SS 7/8" X 3/8"	7/8 to 3/8	9/16 - 18	1.13	28.7
741HFL SS 7/8" X 5/8"	7/8 to 5/8	7/8 - 14	1.33	33.7
741HFL SS 7/8" X 3/4"	7/8 to 3/4	1 1/16 - 12	1.84	46.7
741HFL SS 1" X 3/4"	1 to 3/4	1 1/16 - 12	1.47	37.3
741HFL SS 1" X 7/8"	1 to 7/8	1 3/16 - 12	1.91	48.5
741HFL SS 1 1/4" X 3/4"	1 1/4 to 3/4	1 1/16 - 12	1.53	38.8
741HFL SS 1 1/4" X 1"	1 1/4 to 1	1 5/16 - 12	1.59	40.3
741HFL SS 1 1/2" X 1 1/4"	1 1/2 to 1 1/4	1 5/8 - 12	1.69	42.9

TUBE (MM)

Ordering Information	Tube O.D.	B UN	L	
	inch to mm		inch	mm
741HFL SS 3/8" X 6MM	3/8 to 6	7/16 - 20	0.97	24.6
741HFL SS 1/2" X 6MM	1/2 to 6	7/16 - 20	1.00	25.4
741HFL SS 1/2" X 10MM	1/2 to 10	9/16 - 18	1.00	25.4
741HFL SS 5/8" X 6MM	5/8 to 6	7/16 - 20	1.03	26.2
741HFL SS 5/8" X 10MM	5/8 to 10	9/16 - 18	1.03	26.2
741HFL SS 5/8" X 12MM	5/8 to 12	3/4 - 16	1.44	36.5
741HFL SS 3/4" X 6MM	3/4 to 6	7/16 - 20	1.09	27.7
741HFL SS 3/4" X 10MM	3/4 to 10	9/16 - 18	1.09	27.7
741HFL SS 3/4" X 12MM	3/4 to 12	3/4 - 16	1.19	30.2
741HFL SS 3/4" X 16MM	3/4 to 16	7/8 - 14	1.66	42.1
741HFL SS 7/8" X 10MM	7/8 to 10	9/16 - 18	1.13	28.7
741HFL SS 7/8" X 16MM	7/8 to 16	7/8 - 14	1.33	33.7
741HFL SS 7/8" X 18MM	7/8 to 18	1 1/16 - 12	1.84	46.7
741HFL SS 1" X 18MM	1 to 18	1 1/16 - 12	1.47	37.3
741HFL SS 1" X 20MM	1 to 20	1 3/16 - 12	1.91	48.5
741HFL SS 1 1/4" X 18MM	1 1/4 to 18	1 1/16 - 12	1.53	38.8
741HFL SS 1 1/4" X 25MM	1 1/4 to 25	1 5/16 - 12	1.59	40.3
741HFL SS 1 1/2" X 32MM	1 1/2 to 32	1 5/8 - 12	1.69	42.9

"D" Dimension is minimum opening. Dimensions are for reference only, and are subject to change without notice.